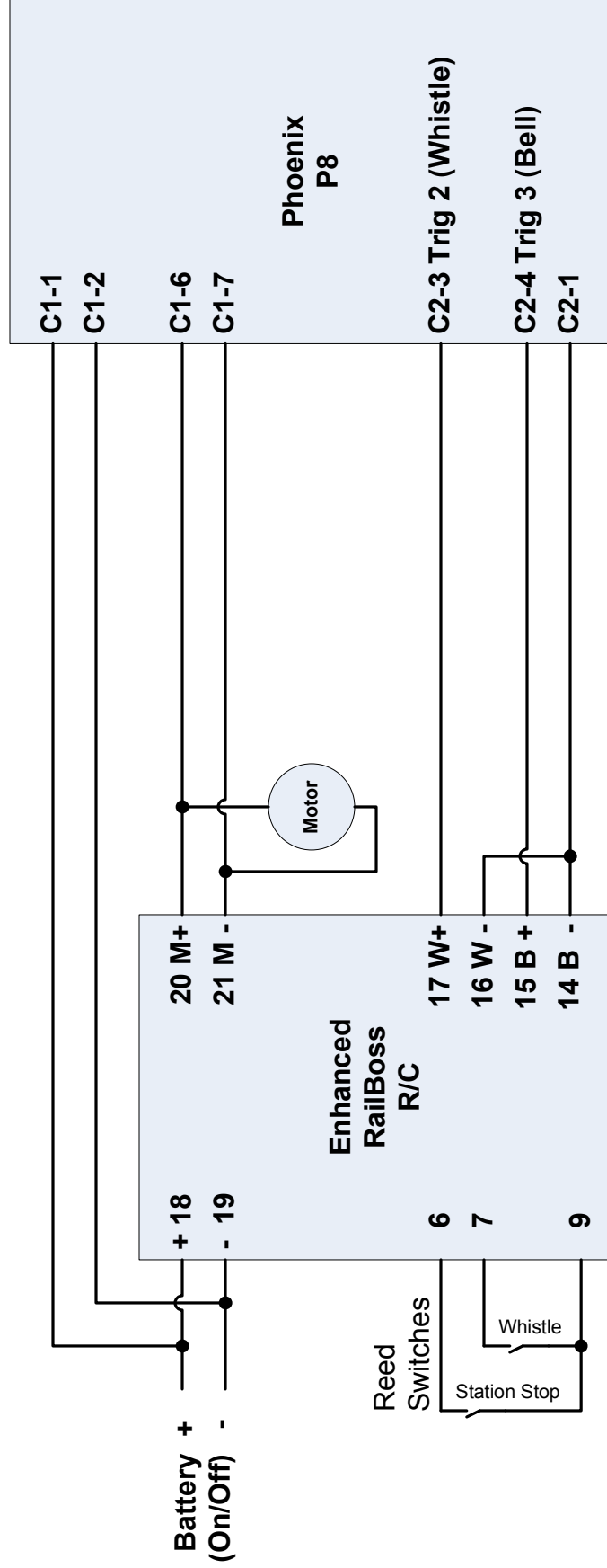




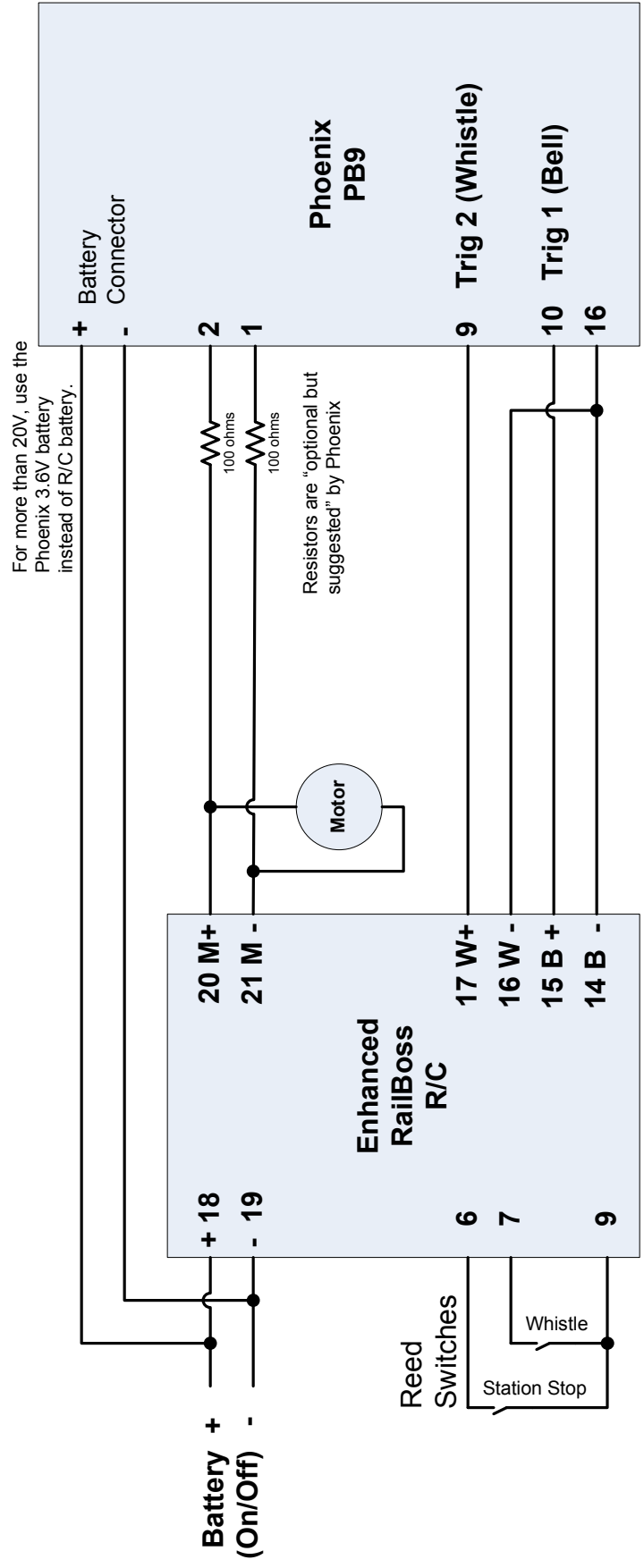
# Phoenix P8 Sound Board Wiring



Trigger Sense = Active Low



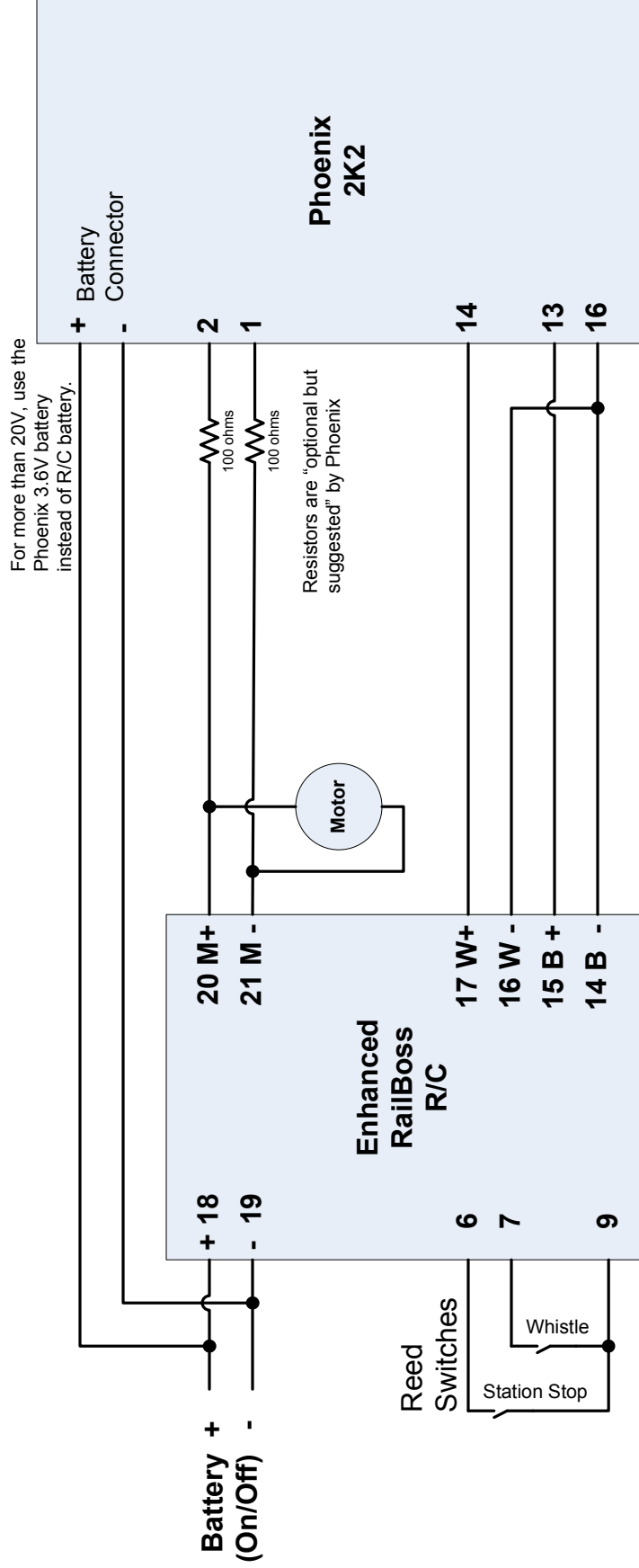
# Phoenix PB9 Sound Board Wiring



Trigger Sense = Active Low

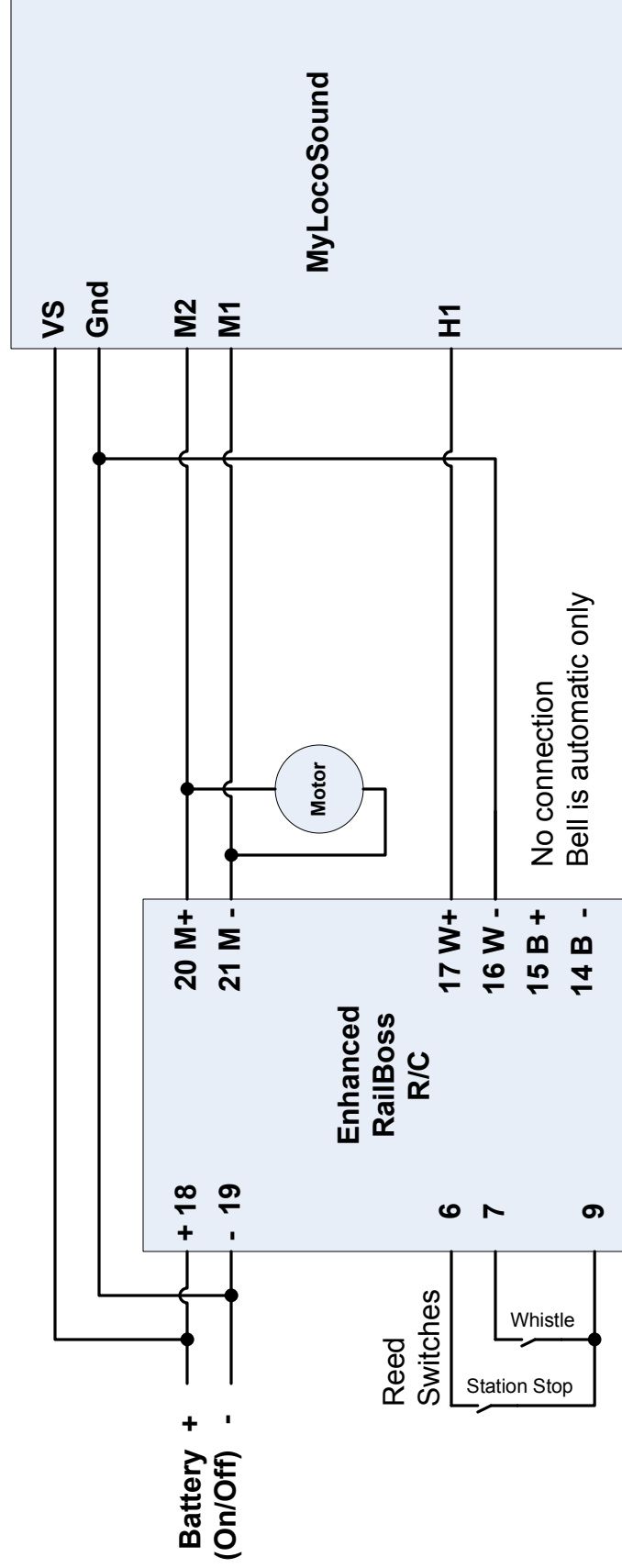


# Phoenix 2K2 Sound Board Wiring



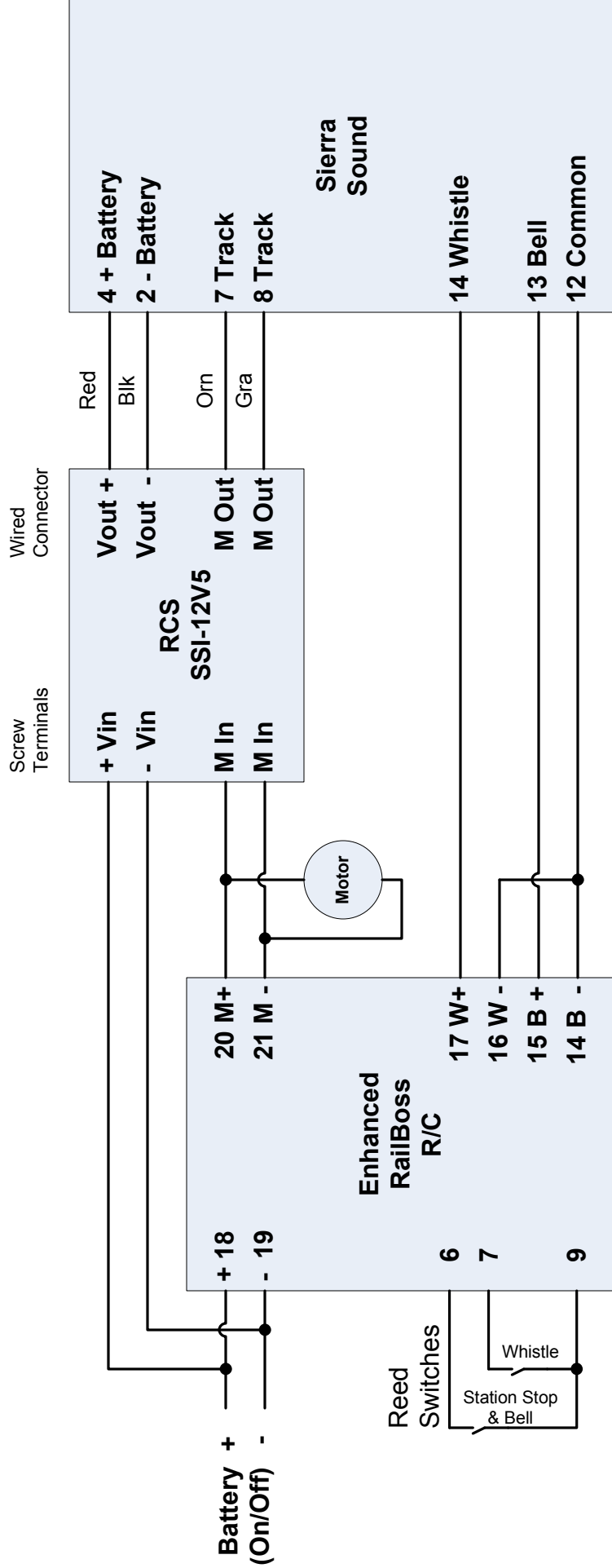


# MyLocoSound Sound Board Wiring





# Sierra Sound Sound Board Wiring



No Battery or connections required at the 3-pin battery connector

Due to the design of the Sierra Sound Board, the RailBoss motor output is not directly compatible with the Sierra inputs. An RCS SSI-12V5 board must be used to provide power and motor isolation to the Sierra.

Sierra programming:  
 Speed sync source (steam boards) must be set for "Auto".  
 Bell and Whistle controls must be set for "Sensor Switch".