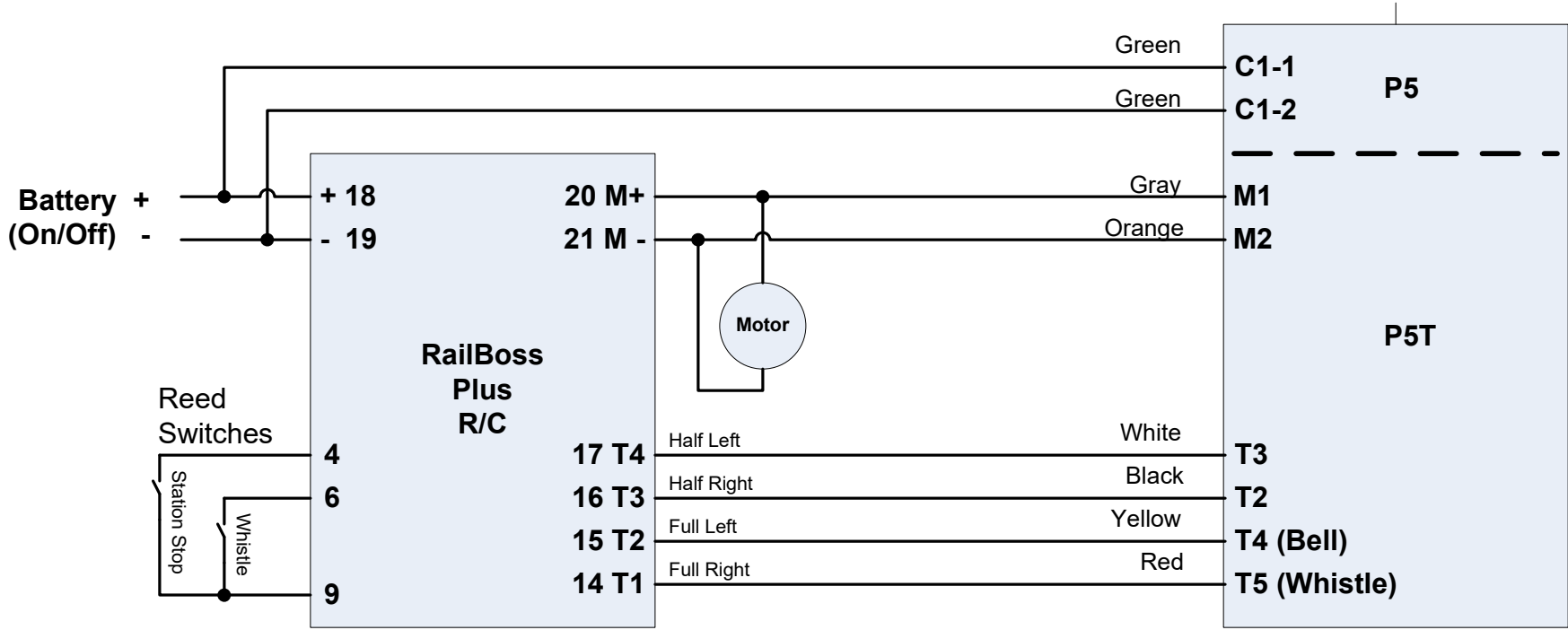
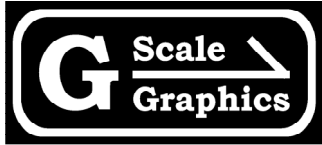


# Phoenix P5/P5T Sound Board Wiring

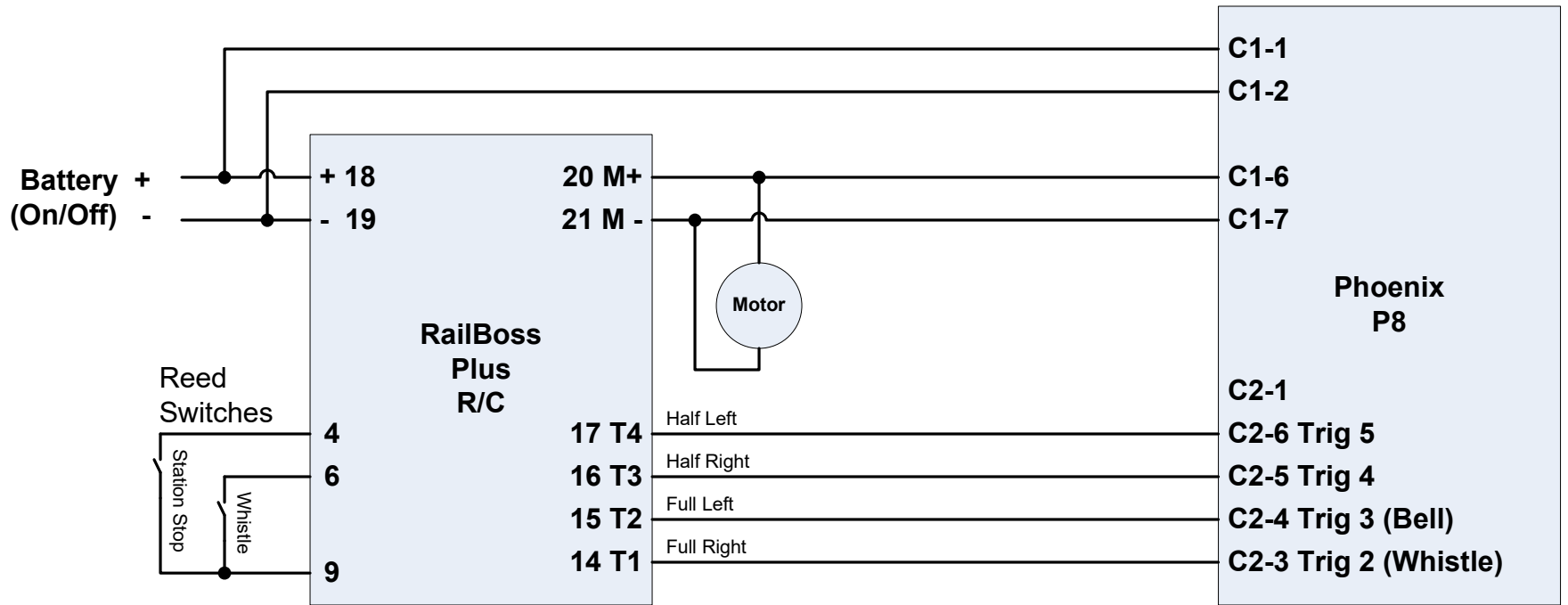


Consult the Phoenix manual for remaining connections and more options.

Trigger sense should be active low.

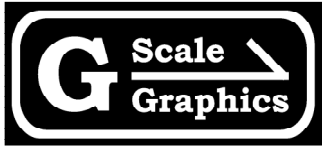


# Phoenix P8 Sound Board Wiring

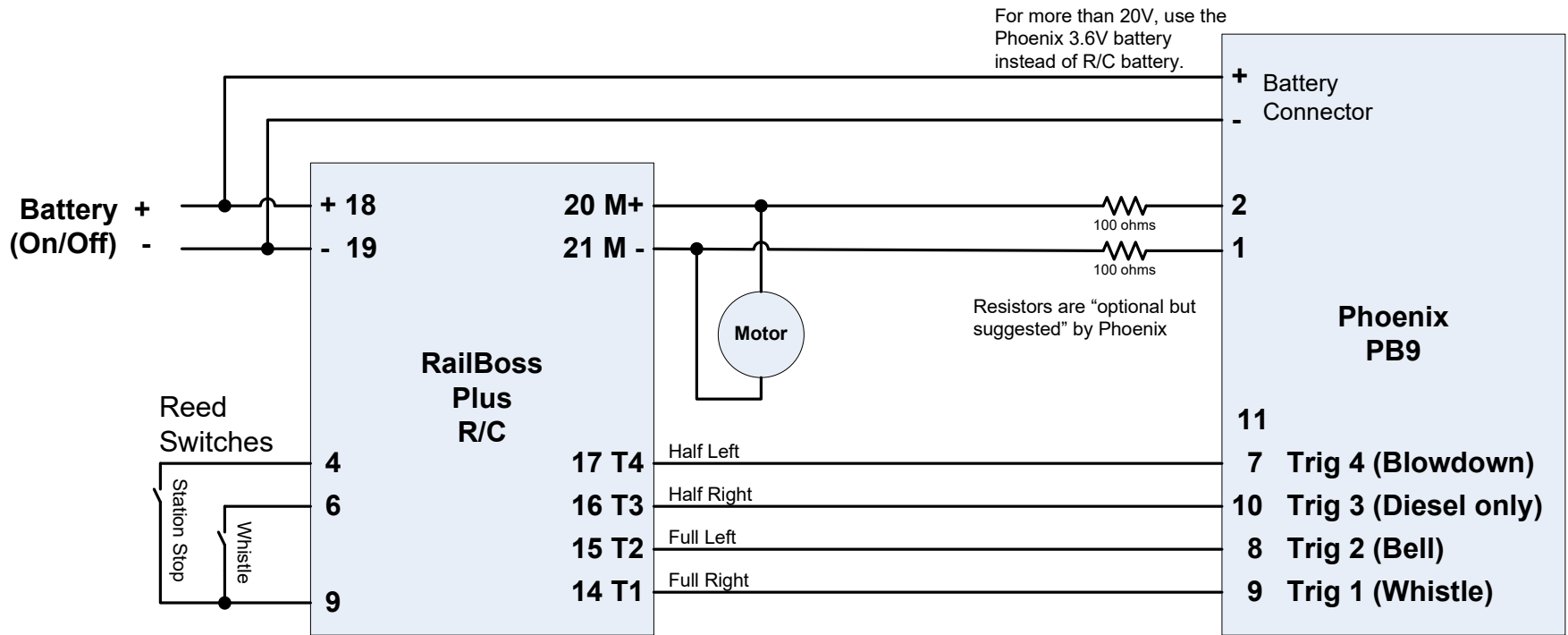


Consult the Phoenix manual for remaining connections and more options.

Trigger sense should be active low.

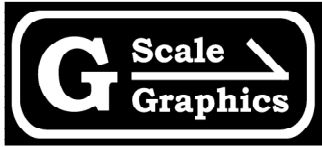


## Phoenix PB9 Sound Board Wiring

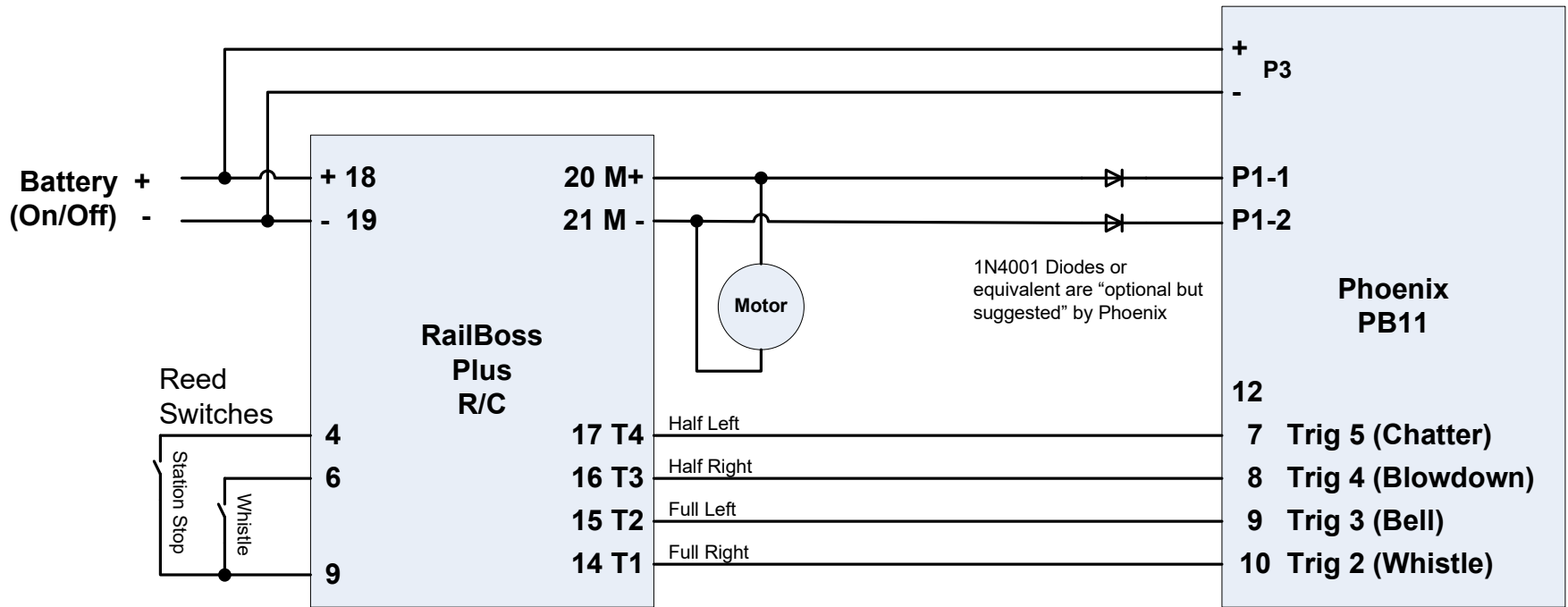


Consult the Phoenix manual for remaining connections and more options.

Trigger sense should be active low.

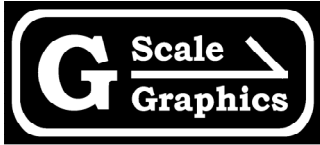


## Phoenix PB11 Sound Board Wiring



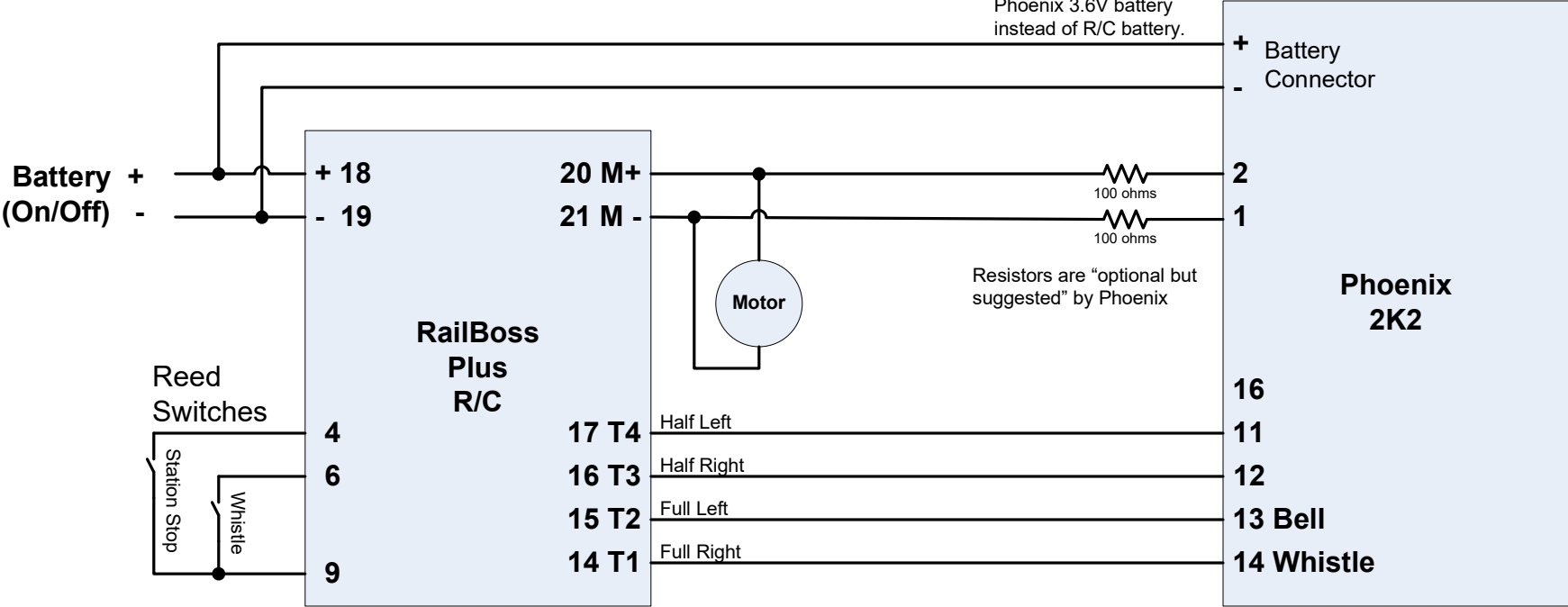
Consult the Phoenix manual for remaining connections and more options.

Trigger sense should be active low.



# Phoenix 2K2 Sound Board Wiring

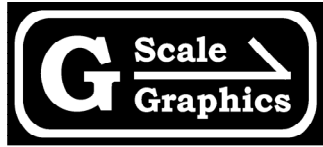
For more than 20V, use the Phoenix 3.6V battery instead of R/C battery.



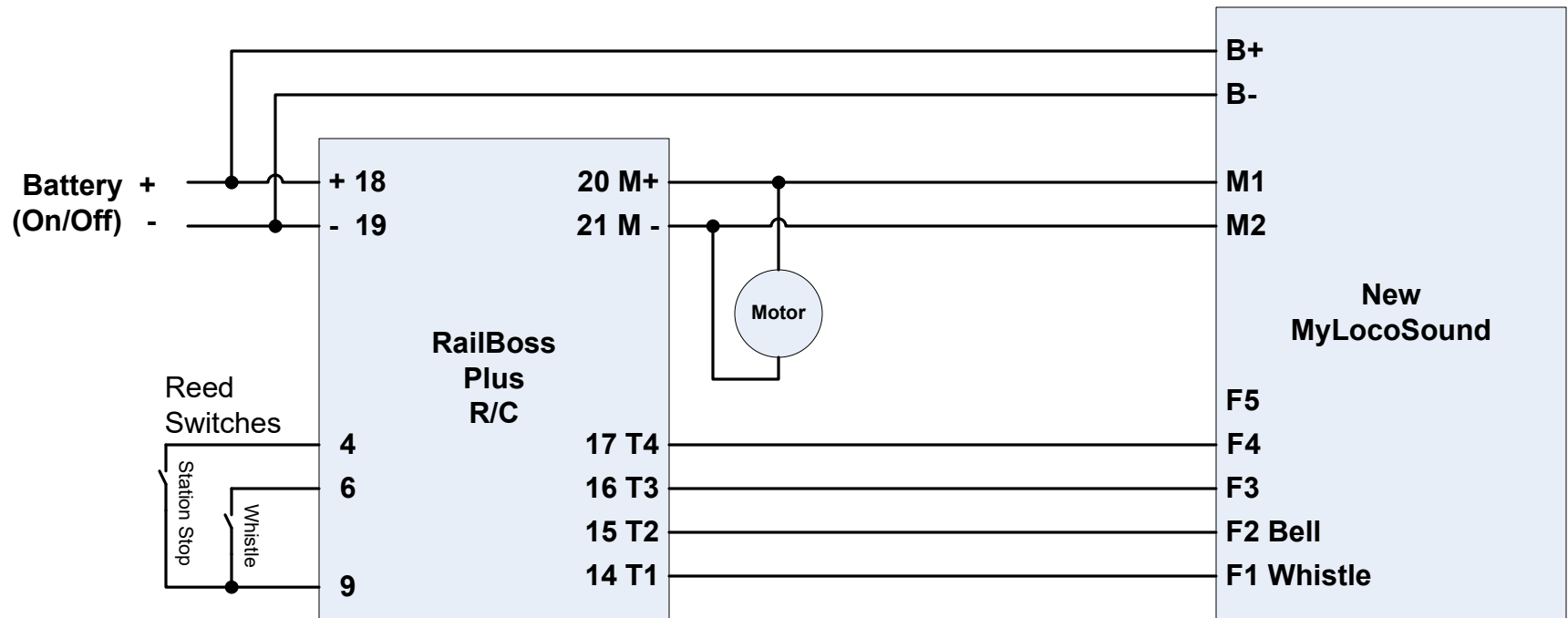
Resistors are "optional but suggested" by Phoenix

Consult the Phoenix manual for remaining connections and more options.

Trigger sense should be active low.

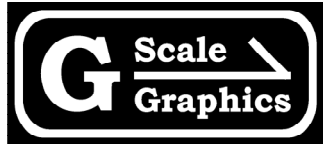


# MyLocoSound Sound Board Wiring

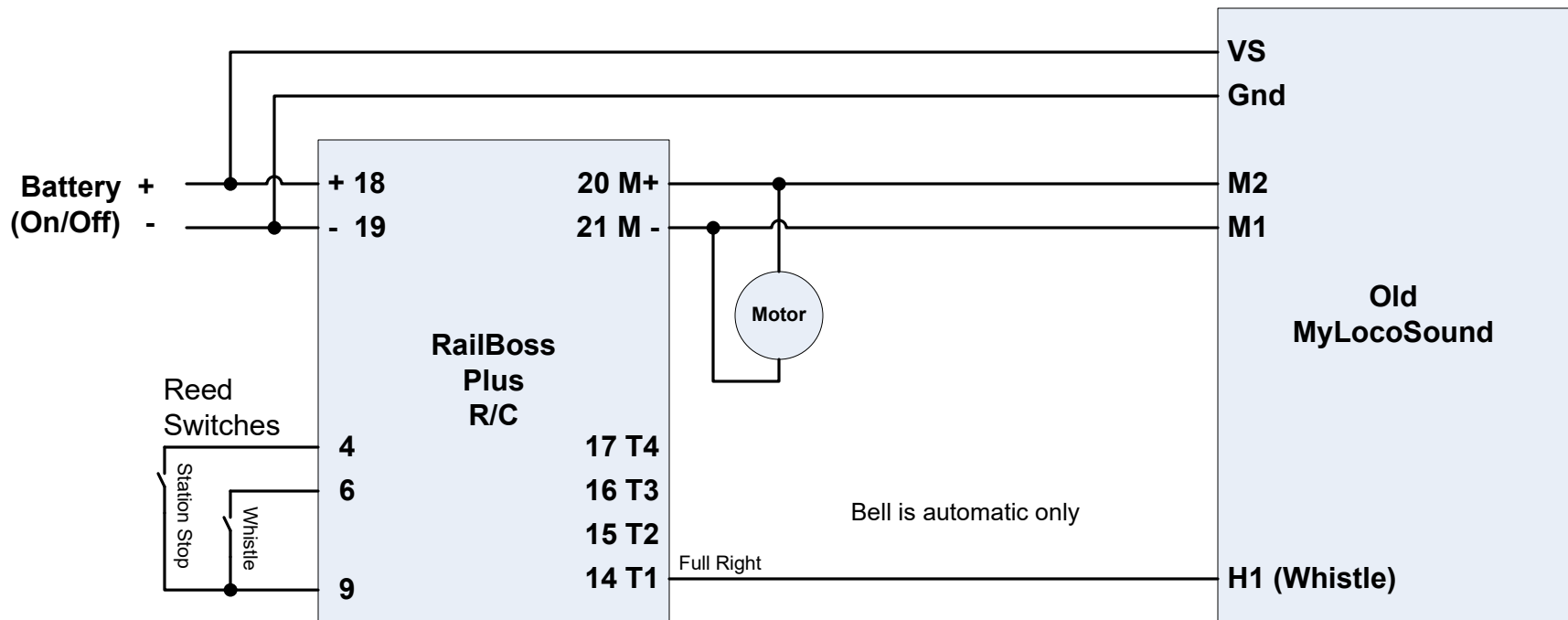


Consult the MyLocoSound manual for remaining connections and more options.

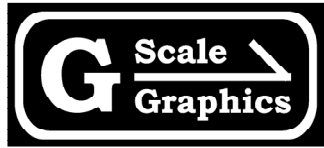
Any RailBoss Plus output can be connected to any function input F1 thru F5 of your choice.



## MyLocoSound (Older model) Sound Board Wiring

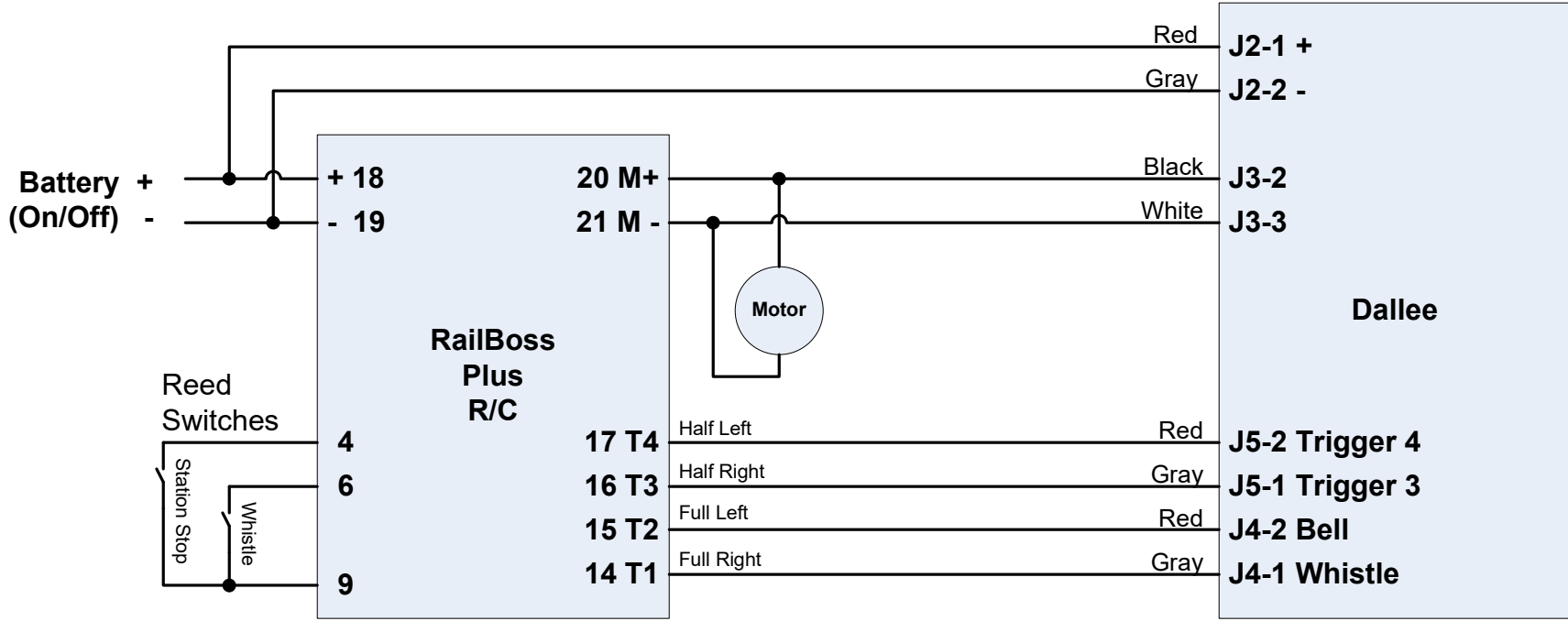


Consult the MyLocoSound manual for remaining connections and more options.



# Dallee Sound Board Wiring

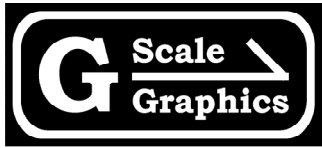
7-24V



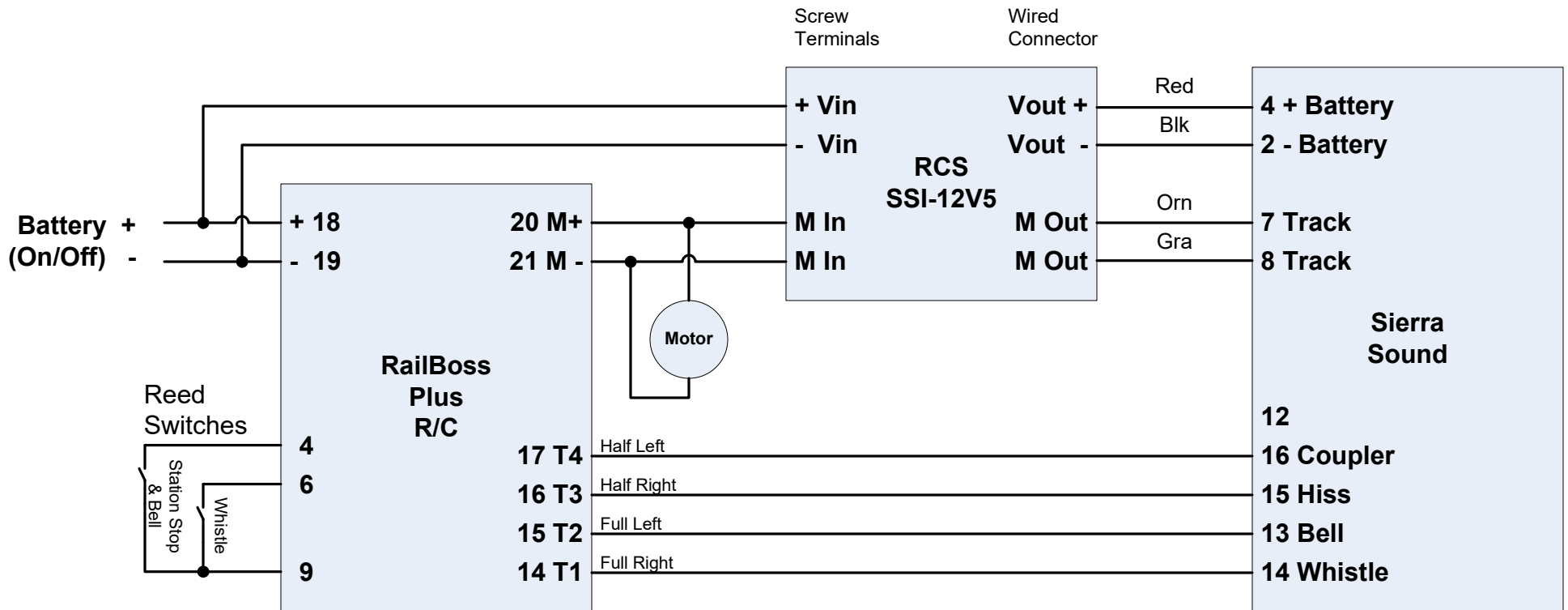
Consult the Dallee manual for remaining connections and more options.

Trigger sense should be active low.





## Sierra Sound Sound Board Wiring



Due to the design of the Sierra Sound Board, the RailBoss motor output is not directly compatible with the Sierra inputs. An RCS SSI-12V5 board must be used to provide power and motor isolation to the Sierra.

Sierra programming:  
 Speed sync source (steam boards) must be set for "Auto".  
 Bell and Whistle controls must be set for "Sensor Switch".

No Battery or connections required at the 3-pin battery connector