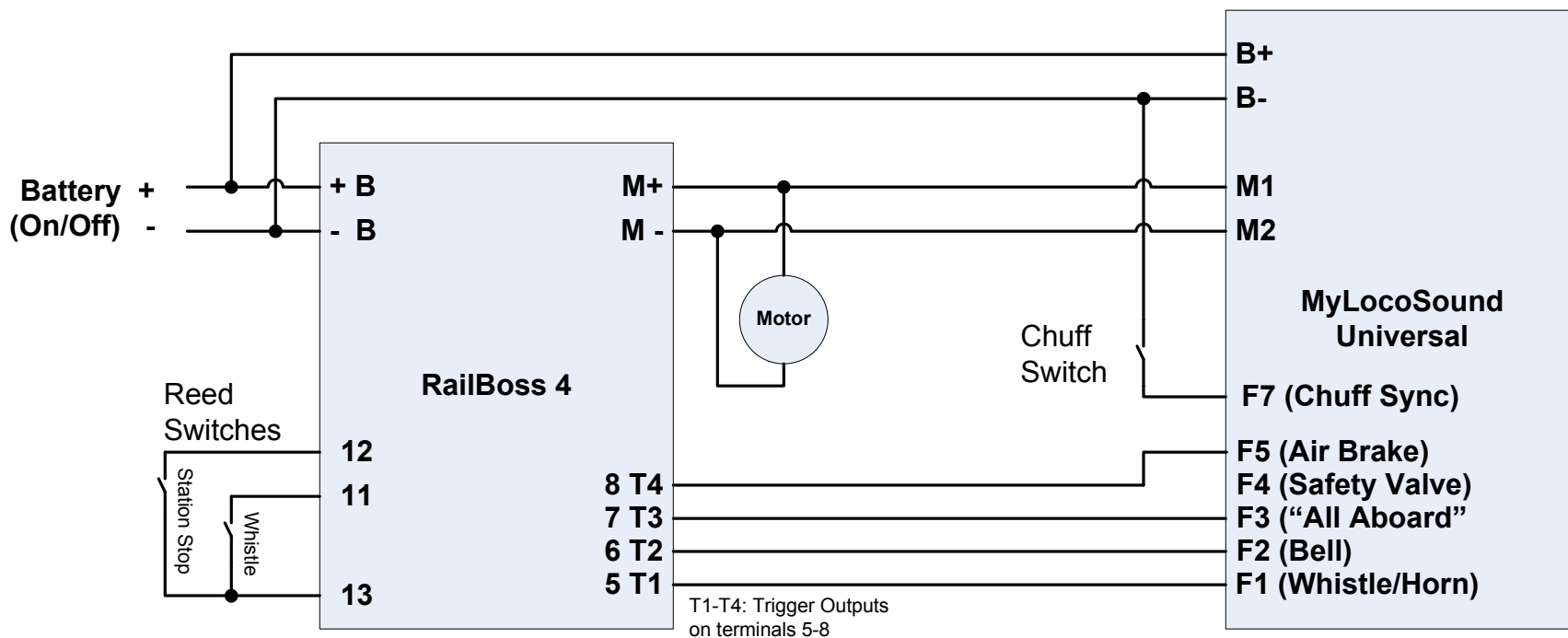
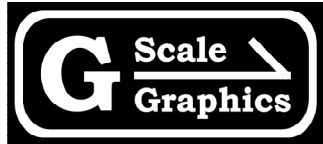


## MyLocoSound Sound Board Wiring

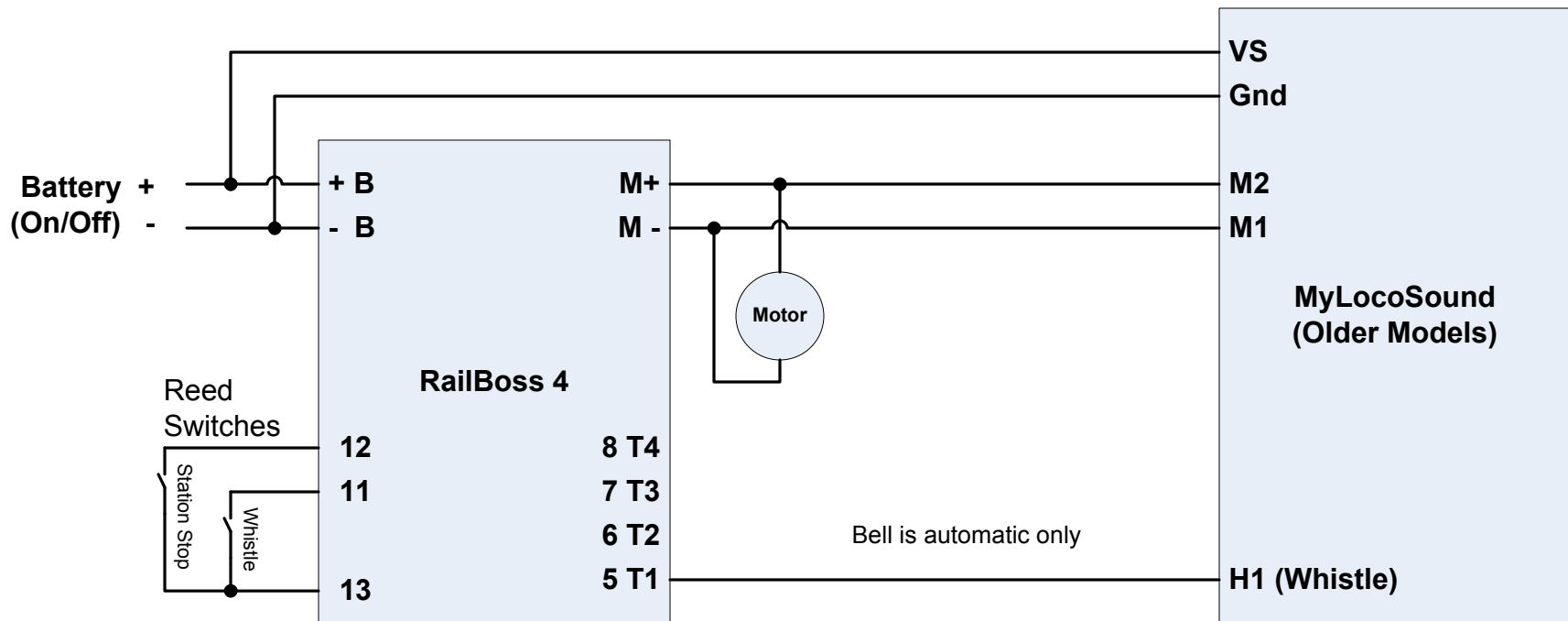


Consult the MyLocoSound manual for remaining connections and more options.

Trigger sense should be active low.

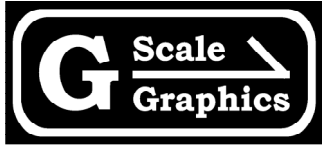


# MyLocoSound Sound Board Wiring

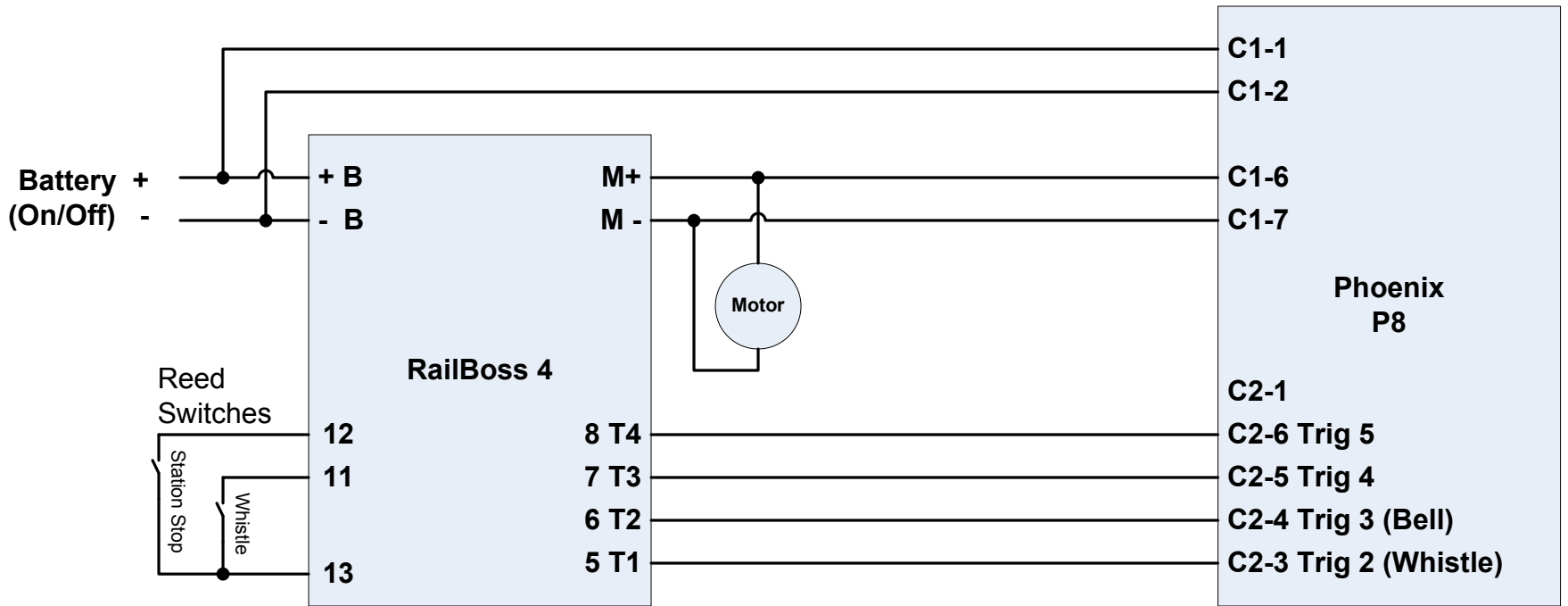


Consult the MyLocoSound manual for remaining connections and more options.

Trigger sense should be active low.

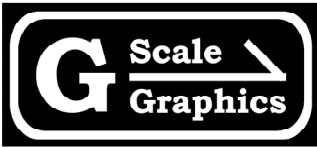


# Phoenix P8 Sound Board Wiring

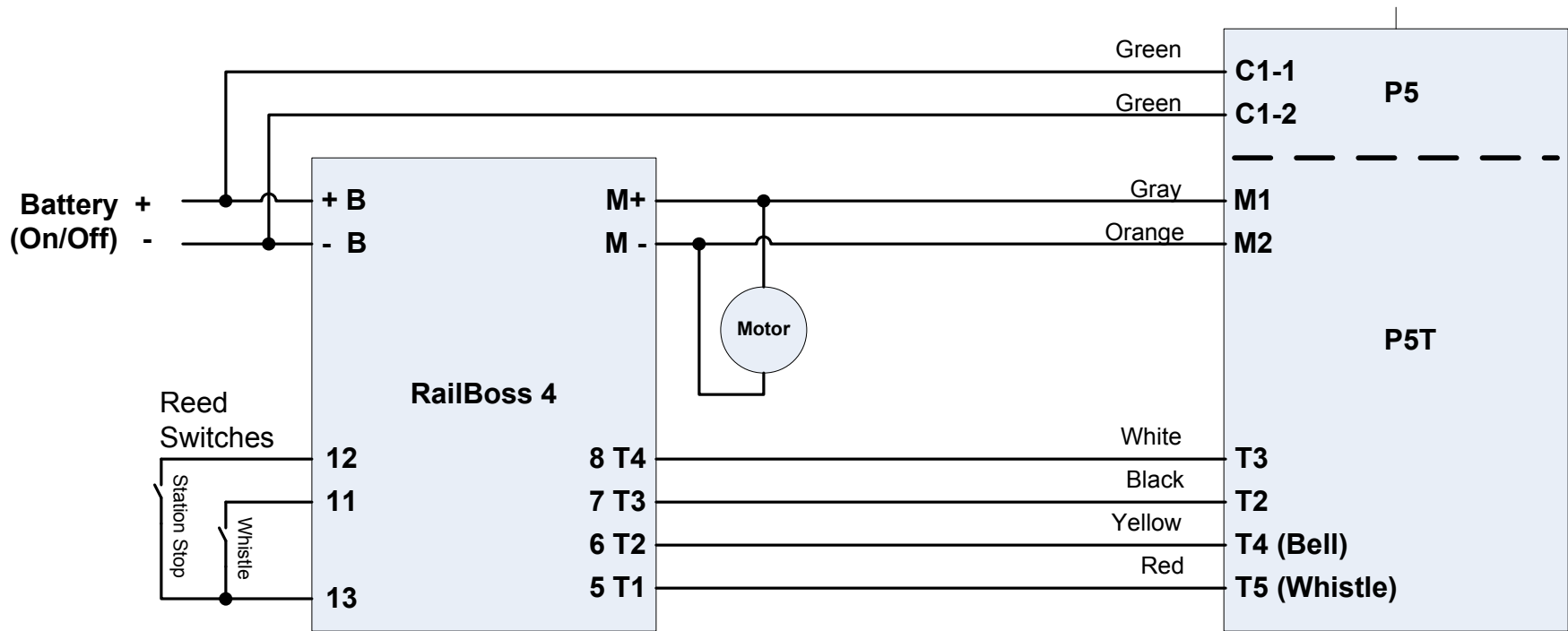


Consult the Phoenix manual for remaining connections and more options.

Trigger sense should be active low.

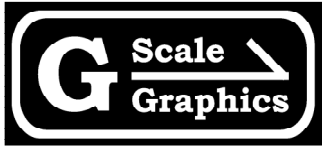


# Phoenix P5/P5T Sound Board Wiring

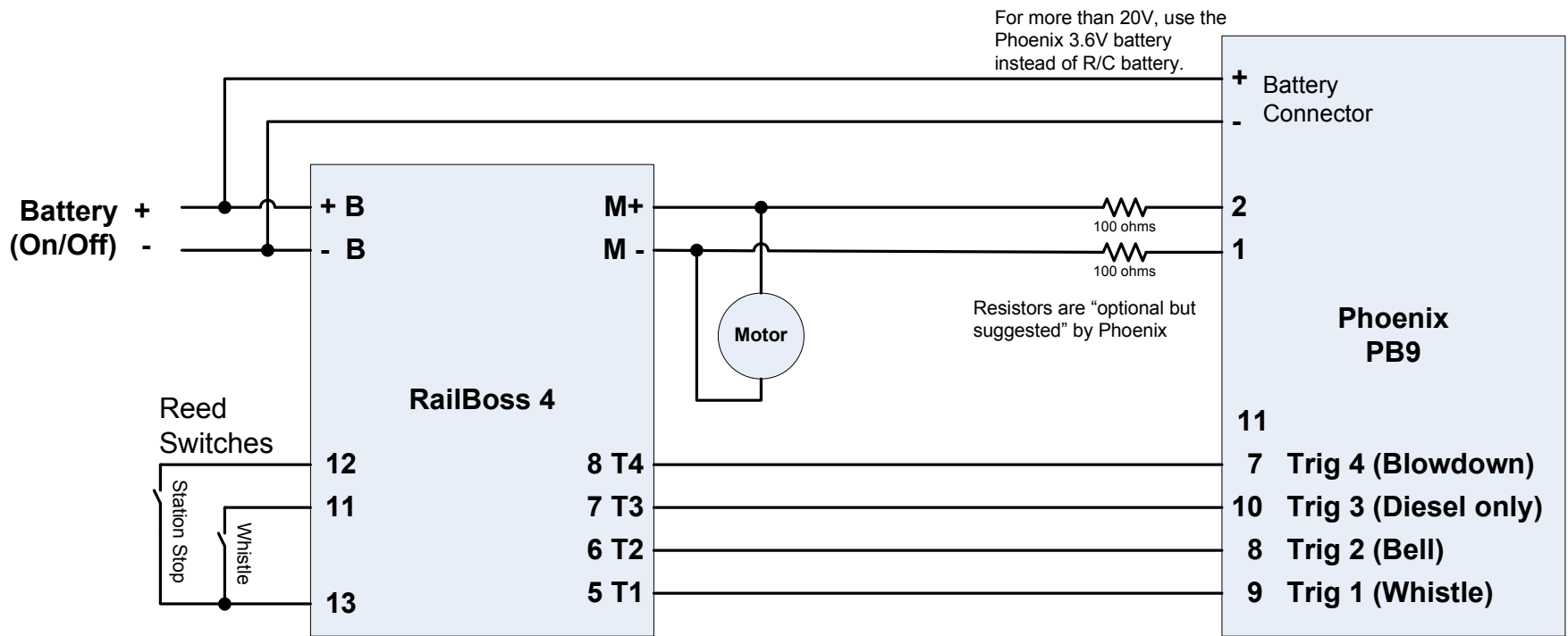


Consult the Phoenix manual for remaining connections and more options.

Trigger sense should be active low.

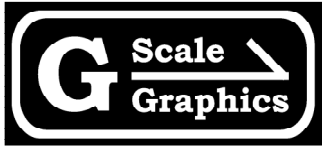


## Phoenix PB9 Sound Board Wiring

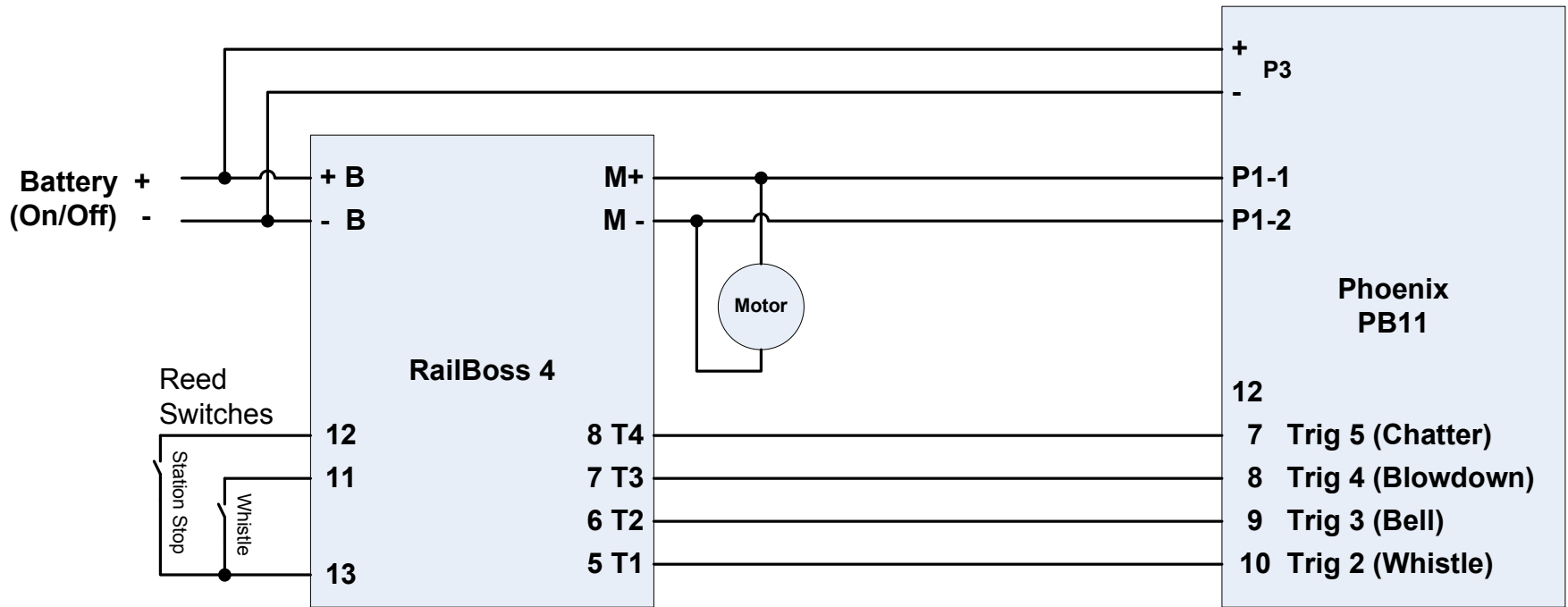


Consult the Phoenix manual for remaining connections and more options.

Trigger sense should be active low.

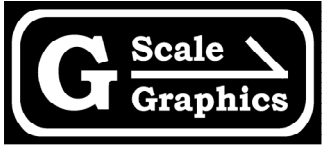


## Phoenix PB11 Sound Board Wiring



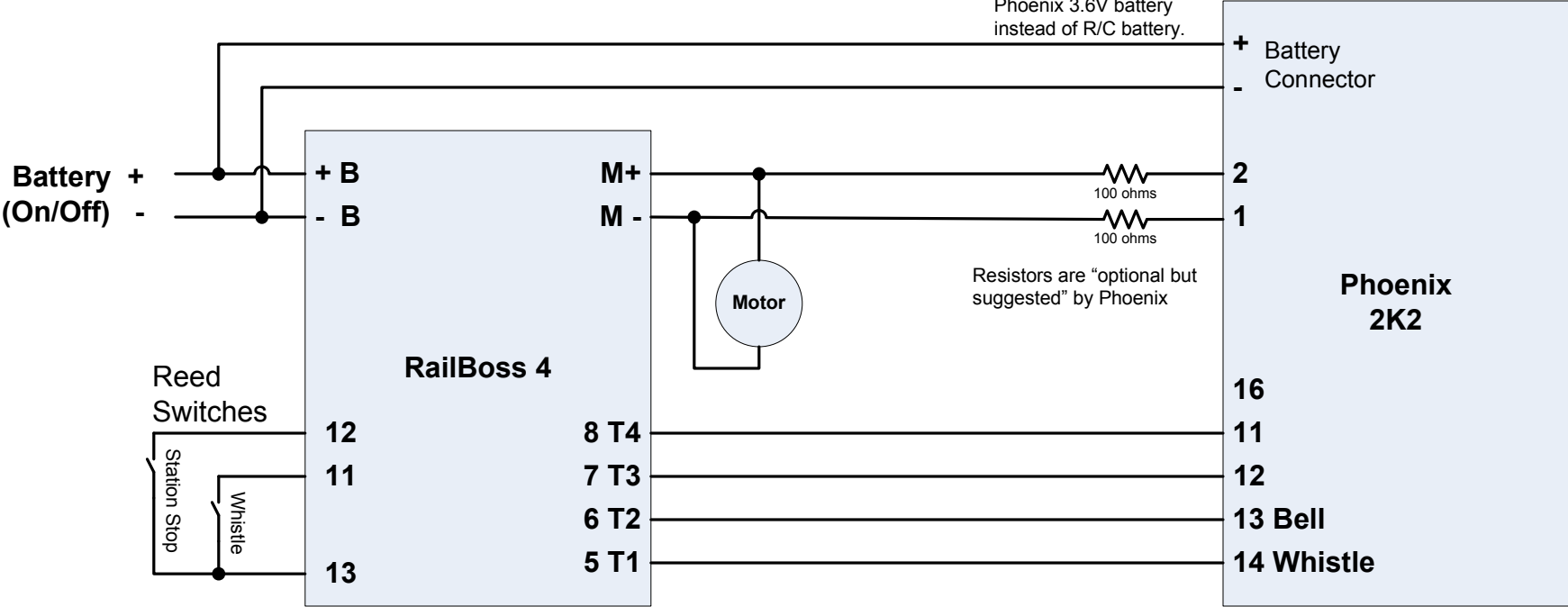
Consult the Phoenix manual for remaining connections and more options.

Trigger sense should be active low.



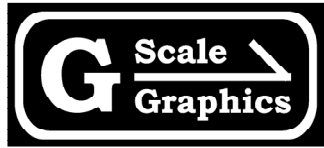
# Phoenix 2K2 Sound Board Wiring

For more than 20V, use the Phoenix 3.6V battery instead of R/C battery.



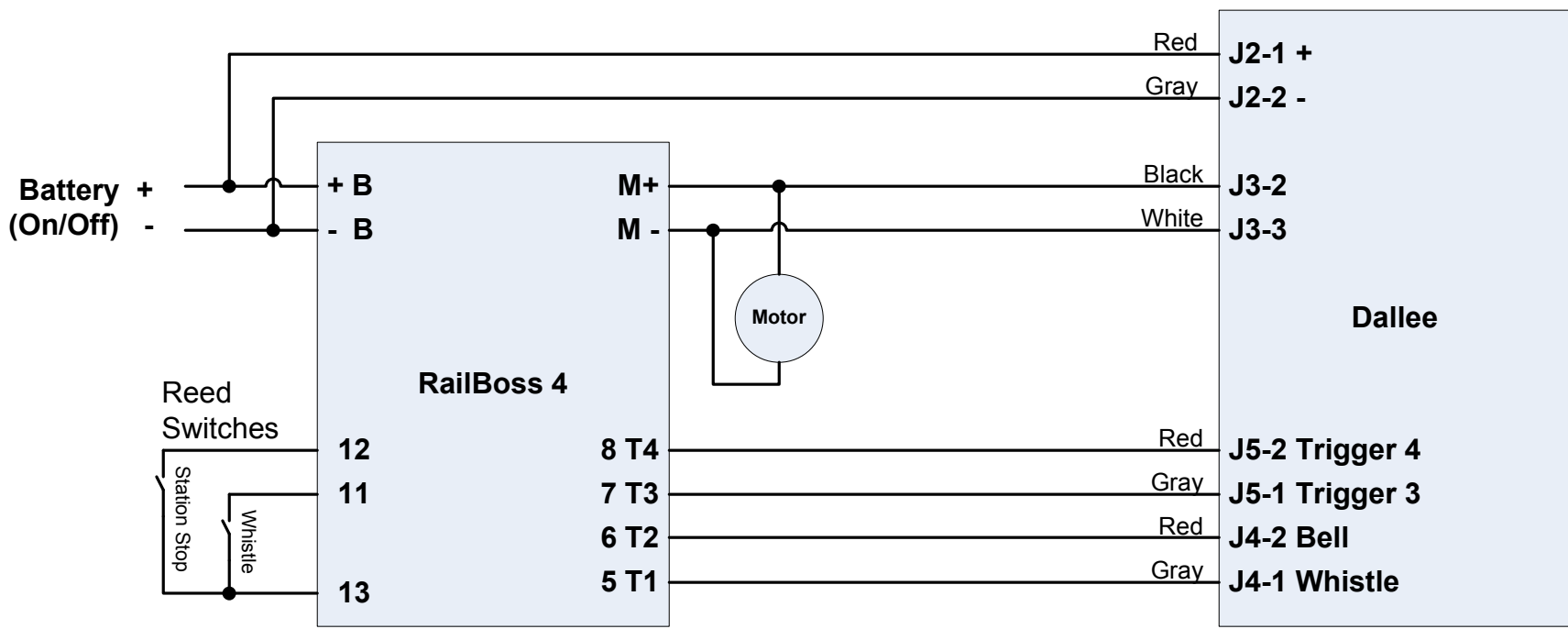
Consult the Phoenix manual for remaining connections and more options.

Trigger sense should be active low.



# Dallee Sound Board Wiring

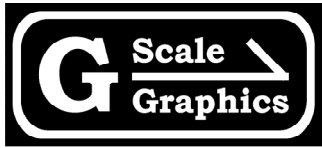
7-24V



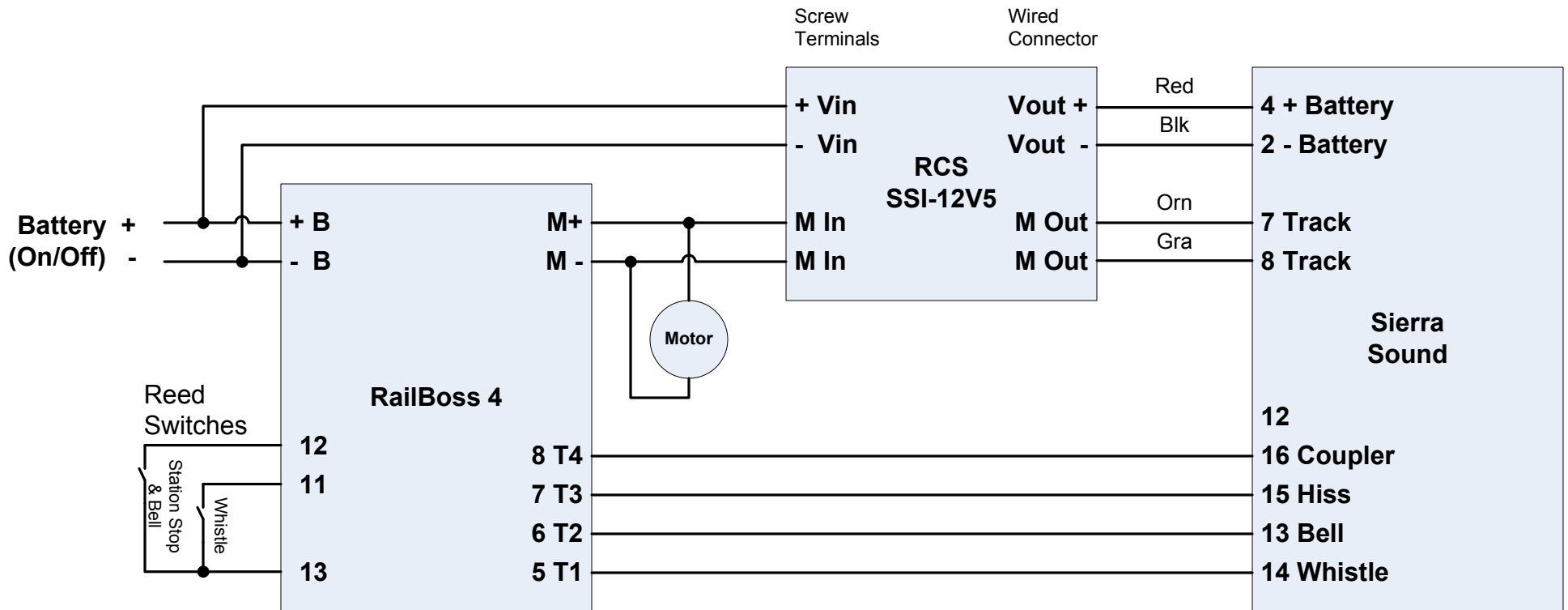
Consult the Dallee manual for remaining connections and more options.

Trigger sense should be active low.





## Sierra Sound Sound Board Wiring



Due to the design of the Sierra Sound Board, the RailBoss motor output is not directly compatible with the Sierra inputs. An RCS SSI-12V5 board must be used to provide power and motor isolation to the Sierra.

Sierra programming:  
 Speed sync source (steam boards) must be set for "Auto".  
 Bell and Whistle controls must be set for "Sensor Switch".

No Battery or connections required at the 3-pin battery connector